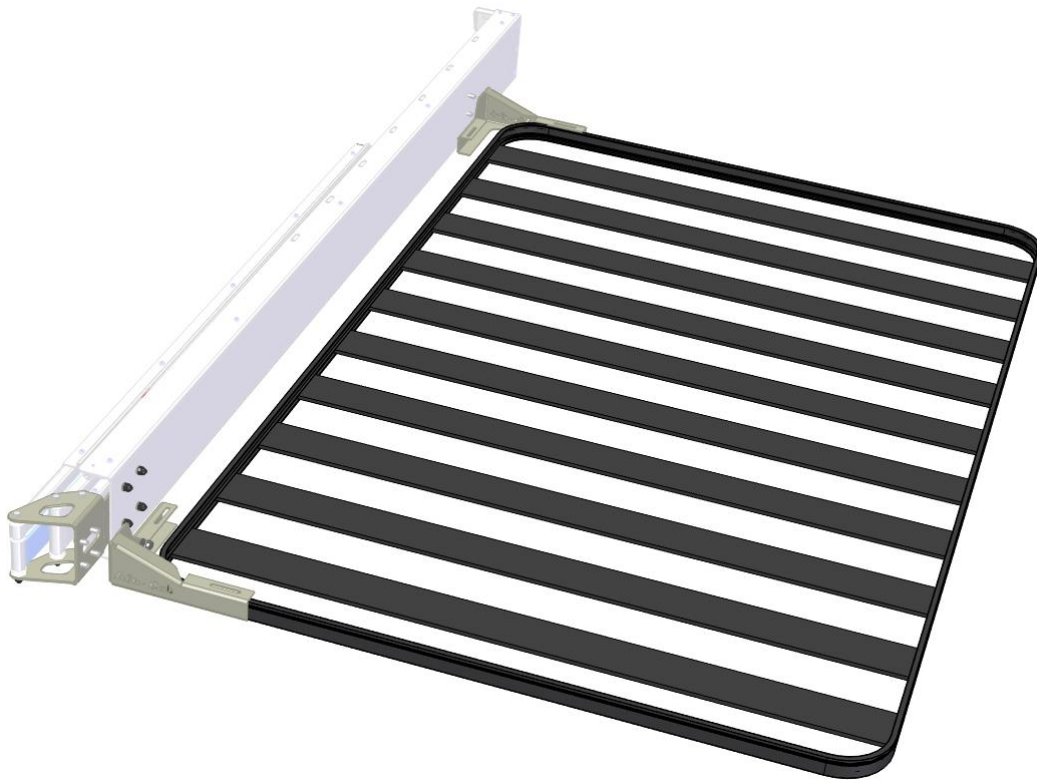


FITMENT INSTRUCTIONS

Alu-Cab™



180° Awning To K-9 Roof Rack

All rights reserved. No part of this document may be reproduced, translated, stored in a retrieval system, or transmitted, in any form or by any means, electronic, mechanical, photocopying, recording or otherwise, without prior written permission of the owner.

Review all instructions information carefully before installation.

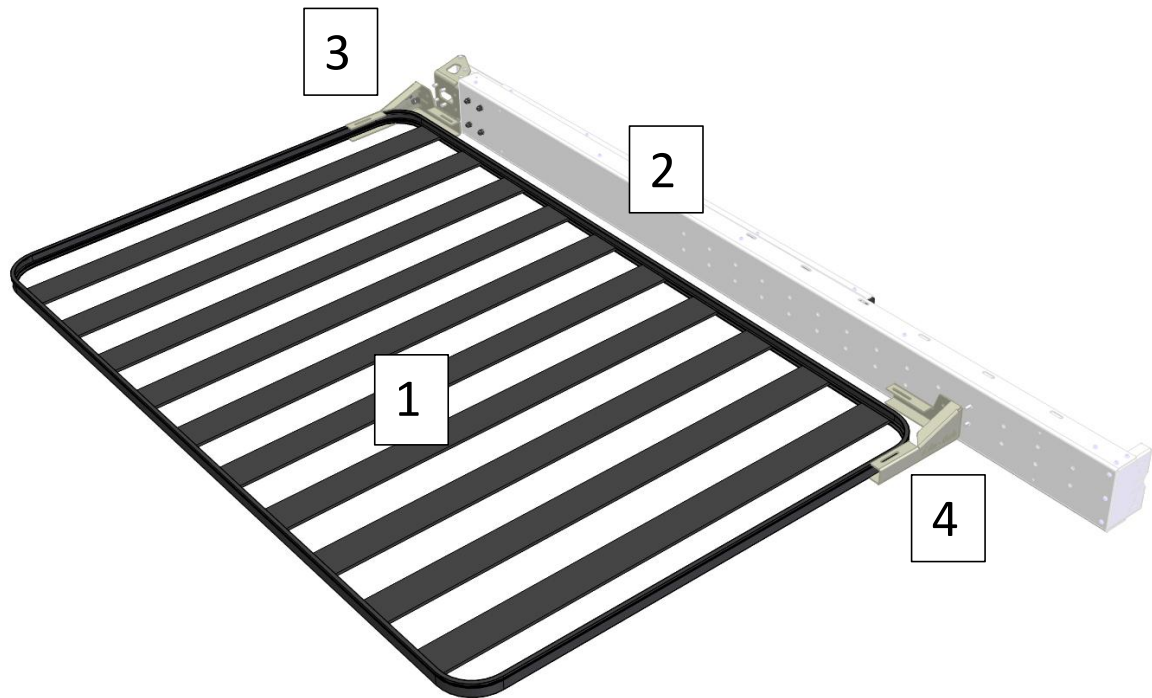
Any damages, direct or incidental to the installer and/or property due to incorrect installation of any parts are the responsibility of the installer. Due to the various applications and fitment options available, the responsibility lies with the user to ensure all mounting points are secure and tight before every trip. If unsure, consult with your Distributor regarding the operations of our products.

Users are advised to be mindful of the load they are carrying and drive in accordance with road conditions.

DISCLAIMER

Alu-Cab

LIST OF COMPONENTS:



Part Identification

PART NUMBER	QTY.
K-9 roof rack	1
Awning Assembly	1
RHS Awning Bracket	1
LHS Awning Bracket	1

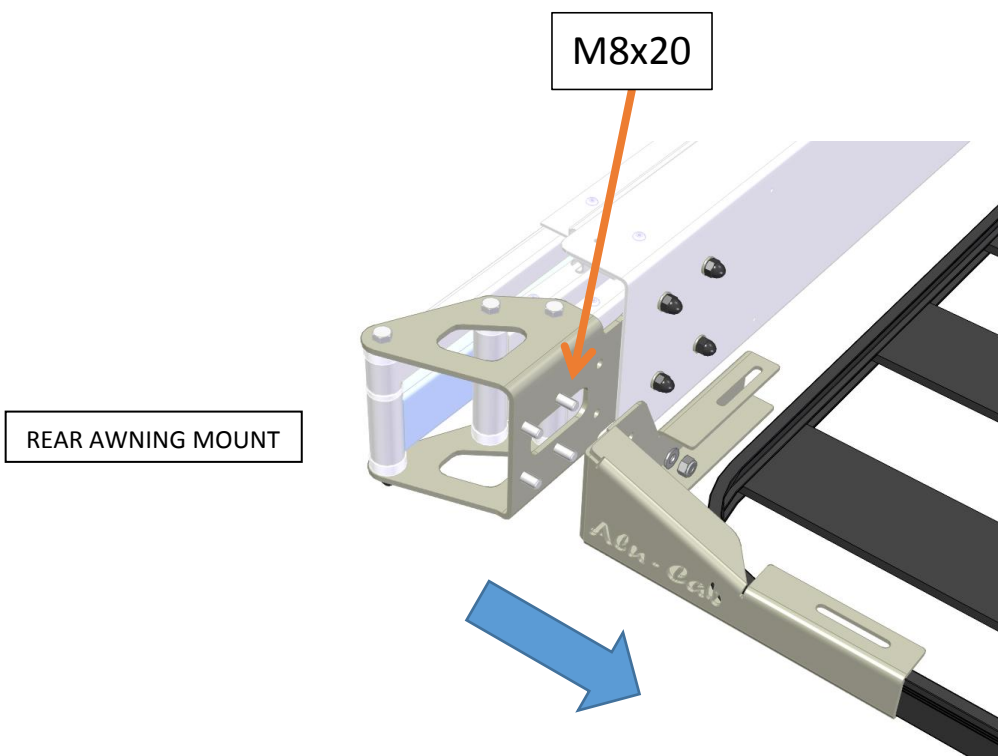
Parts & Fasteners supplied

ITEM	QTY
RHS Awning Bracket	1
LHS Awning Bracket	1
M8x20mm Hex Bolt	6
M8x25mm Hex Bolt	4
M8 Flat Washer	16
M8 Nylock Nut	10
M8 Nut Cap	10

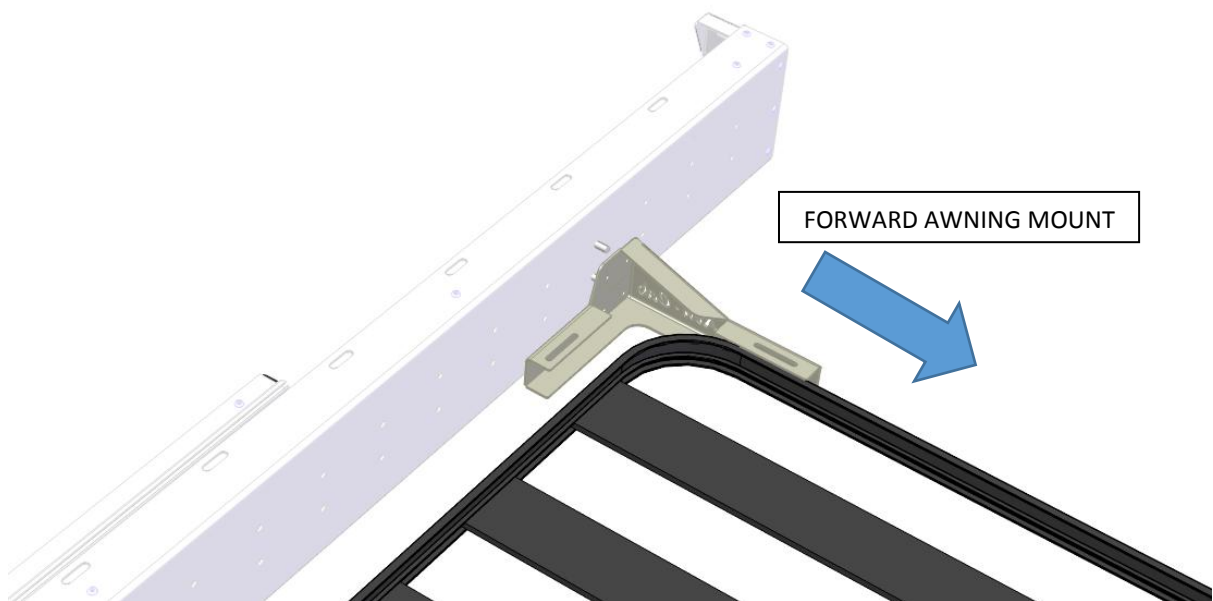


WARNING

Always wear appropriate PPE (Personal protection equipment) when fitting this product. Although the mounting kit is designed to be DIY, if you have any doubts or concerns, contact an accredited fitment centre to carry out the work. Alu-Cab will not be liable for any injury to persons, and/or damage to products and/or vehicles.

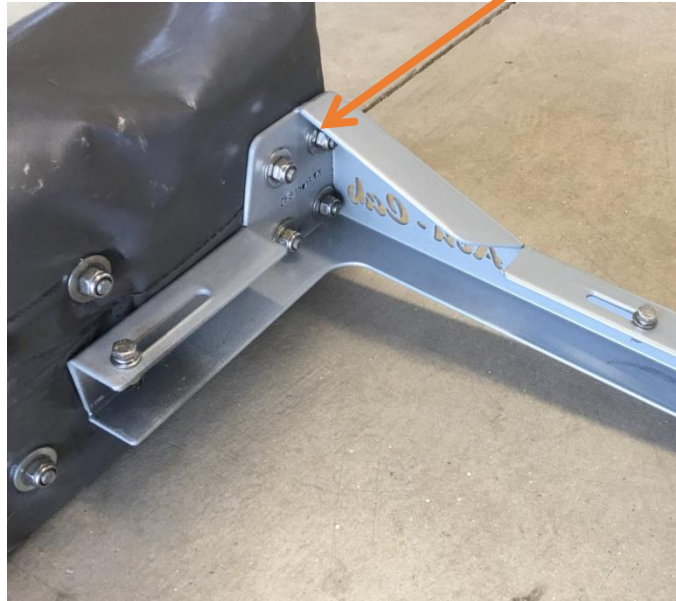


Line up the supplied brackets and and the awning to check that the awning's 270deg arm clears the vehicle.



Test fit the front bracket supplied and mark the holes required to mount the awning. Drill through the awning with an 8mm drill bit

M8x20



Pre-mount and fasten the rear mounting bracket to the awning with the M8 fasteners supplied.



Pre-mount and fasten the front mount to the drilled holes.

Slide the nuts through the K-9 roof rack nut slot then slide the K-9 brackets onto the roof rack. Fasten the awning bracket with the M8 bolts supplied.

M8x25



M8x25





The K-9 brackets are universal and can be mounted either on the left or right side of the roof rack.